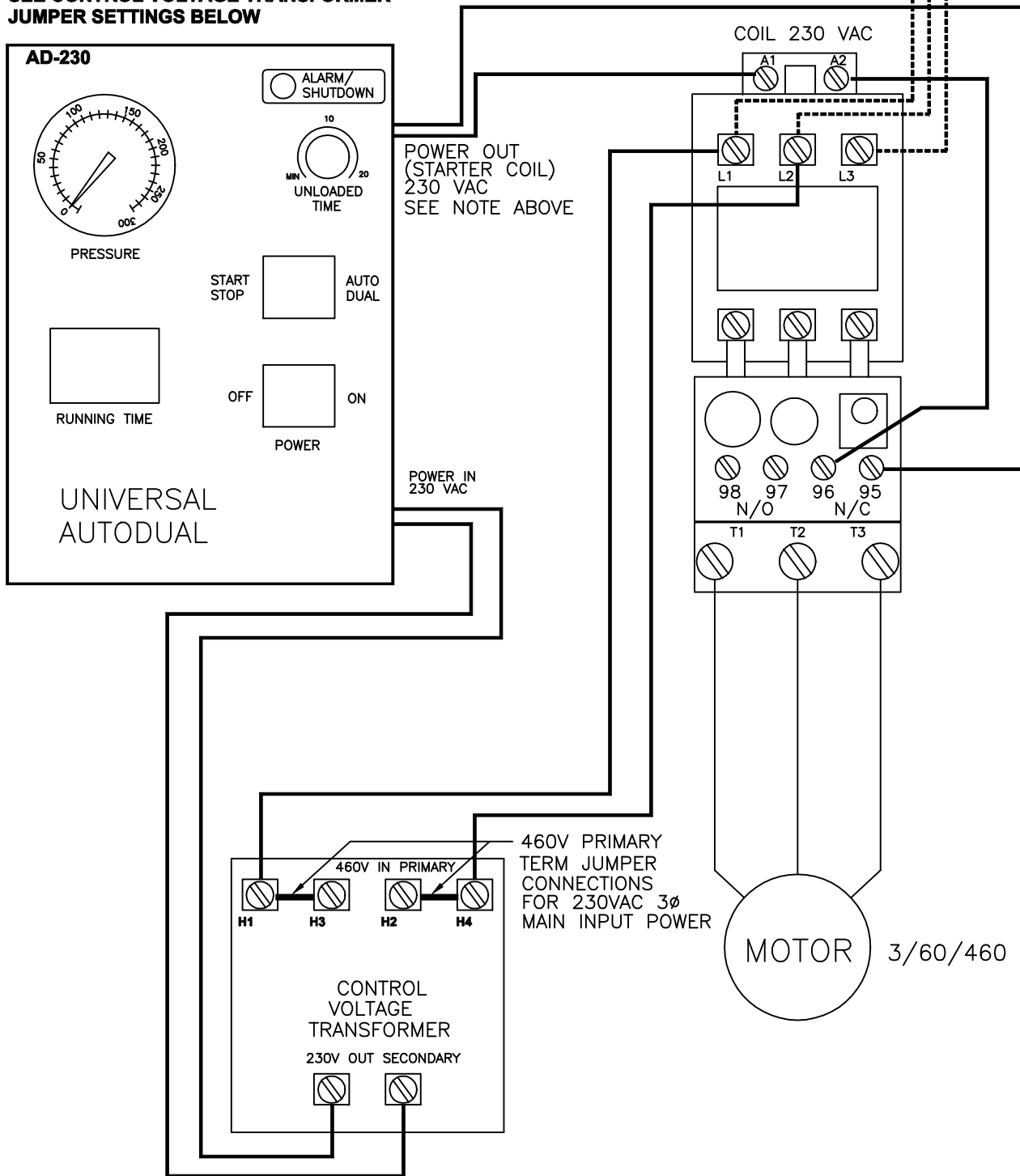


IMPORTANT !!
STARTER COIL MUST BE SPECIFIED AS
230 VOLTS A.C.
MISMATCH OF CONTROL VOLTAGE & COIL
SETTINGS WILL DAMAGE EQUIPMENT
AND VOID AUTODUAL AND STARTER WARRANTY
SEE CONTROL VOLTAGE TRANSFORMER
JUMPER SETTINGS BELOW

FROM MAIN POWER
DISCONNECT BOX

MAIN POWER IN
TO STARTER
460VAC 3Ø
 SEE NOTE



AUTODUAL WIRING - 460VOLTS/3 PHASE
W/ 230V STARTER COIL
WITH CONTROL VOLTAGE TRANSFORMER